

Custom Series Matt Heafy Set Wiring

Standard wiring with dual voice switching.

Pot Controls:

1. Neck Volume
2. Bridge Volume (Pull for Voice 3)
3. Tone (Pull for Voice 2)

Voice 1 Alnico – Modern Active

(voicing switch open position)

6 String Peak frequency – 650Hz

7 8 9 String Peak frequency – 630 Hz

Voice 1 Ceramic – Modern Active

(voicing switch open position)

6 String Peak frequency – 630Hz

7 8 9 String Peak frequency – 730Hz

Voice 2 Alnico – Crisp, clean and fluid

(voicing switch grounded position)

6 String Peak frequency – 420Hz / 8 kHz

7 8 9 String Peak frequency – 420Hz / 8 kHz

Voice 2 Ceramic – Modern passive attack

(voicing switch grounded position)

6 String Peak frequency – 1.8 kHz

7 8 9 String Peak frequency – 1.8 kHz

Voice 3 Alnico (Single Coil) - Glassy,

Scooped, Hi-fi

6 String Peak frequency - 4.7 kHz

7 8 9 String Peak frequency - 4.7 kHz

Voice 3 Ceramic (Single Coil) - Cutting, overwound single coil

6 String Peak frequency - 4.5 kHz

7 8 9 String Peak frequency - 4.5 kHz

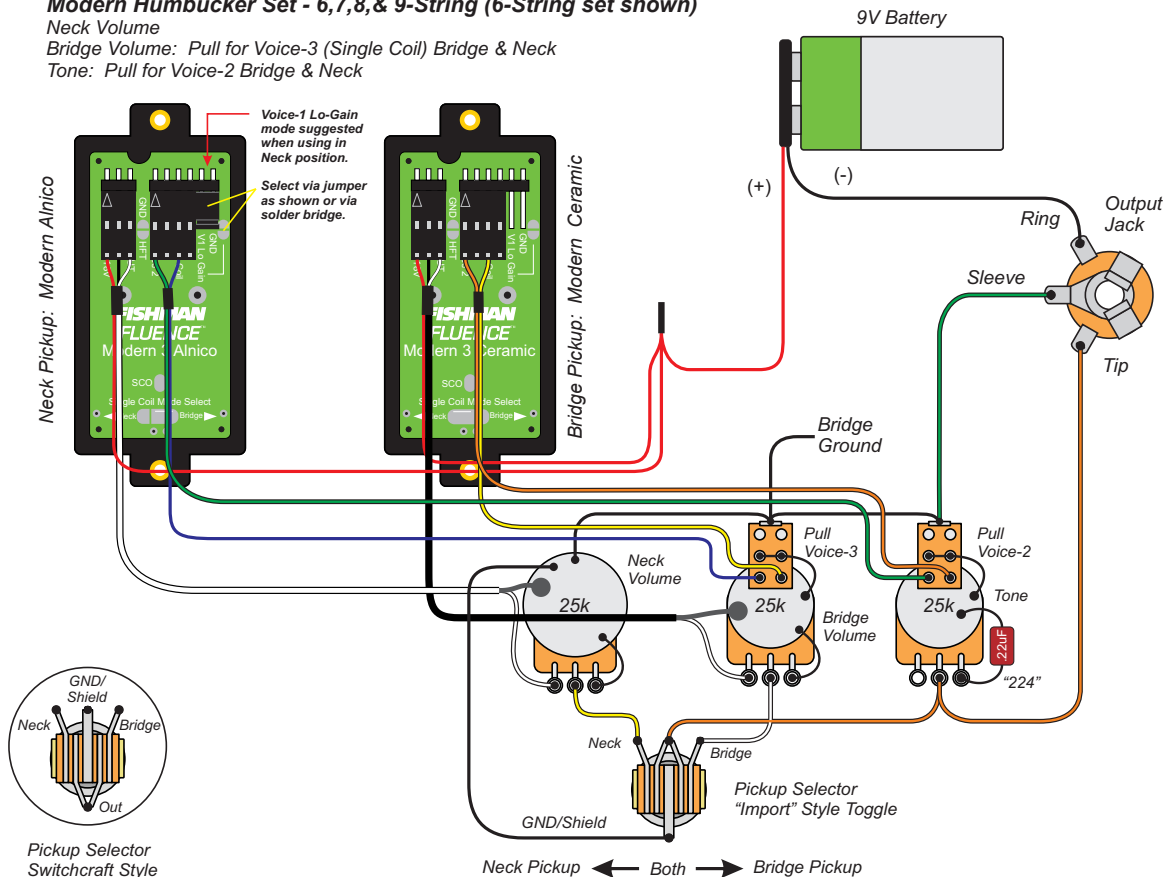
FISHMAN FLUENCE™

Custom Series Matt Heafy Set and Modern Humbucker Set - 6,7,8,& 9-String (6-String set shown)

Neck Volume

Bridge Volume: Pull for Voice-3 (Single Coil) Bridge & Neck

Tone: Pull for Voice-2 Bridge & Neck



Pickup Selector Switchcraft Style

Neck Pickup ← Both → Bridge Pickup